

### JUNCKERS CLIP SYSTEM

C 1.0	General information
C 1.1	Clip System Information
<b>C 1.1.1</b>	<b>Specifier's Information</b>
C 1.1.2	Laying Instruction

**Fig. 1**

### COMPONENTS

#### 1 - Boards

- Junckers 14 and 22 mm 2-strip boards, incl. shipsdecking
- Junckers 15 and 20.5 mm Planks, incl. shipsdecking.

Wood species, dimensions, grades and finish:

22 x 129 mm Solid 2-strip: **see B 2.0**

14 x 129 mm Solid 2-strip: **see B 3.0**

20.5 x 140 mm Planks: **see B 5.0**

20.5 x 185 mm Planks: **see B 6.0**

15 x 129 mm Planks: **see B 7.0**

#### 2 - Clips

- 25-50 % RH: 129.1 mm/1 hole
- 35-65 % RH: 129.4 mm/2 hole
- 60-85 % RH: 129.8 mm/3 hole

#### 3 - Intermediate layer

- Junckers PolyFoam
- JunckersFoam
- Floor cardboard, 500 g/m<sup>2</sup>
- Polystyrene

#### 4 - Header joint adhesive

- Junckers SylvaFix

#### 5 - Junckers expansion strip

- 12 x 12 mm

#### 6 - Expansion gap at the wall

- 2 mm per metre of floor width on each side, always min. 12 mm (UK: min. 15 mm).

Is also required at fixed points, e.g. columns.

**Fig. 2**

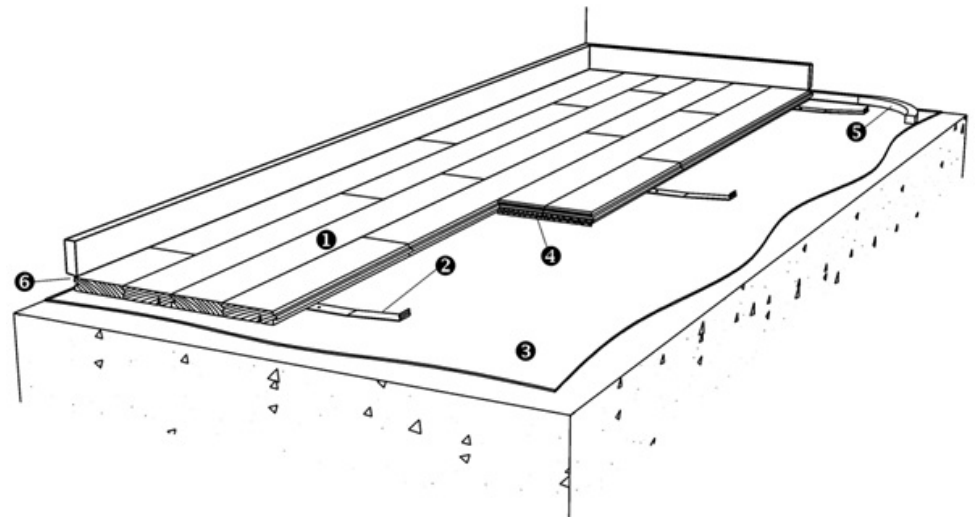
### GENERAL DESCRIPTION OF FLOOR SYSTEM

This floor system consists of Junckers solid 2-strip boards and planks laid with clips on a resilient intermediate layer, which gives good walking comfort and step-sound reduction properties.

The system is suitable for laying in both residential and commercial buildings, and can be laid in combination with underfloor heating systems, **see E 4.0**.

Construction height from approx. 17 mm.

Please note that full information on a floor system comprises the data in C 1.0, C 1.1, 1.1.1 and C 1.1.2, **see Fig.1**.



**Fig. 3**

### SYSTEM SPECIFICATIONS

The clip system is installed as a floating floor on a dry, loadbearing subfloor of concrete, lightweight concrete, screed or wooden material.

The subfloor must be flat, with a maximum deviation of 2 mm under a 1.5 metre straight edge (UK: 3 mm under 2 m straight edge). The surface must be smooth. Any minor irregularities must be corrected.

The choice of intermediate layer depends on the structure of the subfloor and the moisture conditions.

### BOARDS

Boards are laid in a continuous, irregular pattern with header joints distributed randomly across the entire floor. To avoid waste, the offcut from the last completed row is used to start one of the following rows.

Header joints are glued using Junckers SylvaFix header joint adhesive.

## INTERMEDIATE LAYER AND SUBFLOOR

### STEP-SOUND REDUCTION

For further information, see E 5.0.

Fig. 4

For concrete or screeded floors where there is a risk of residual moisture **Junckers PolyFoam** is used, see H 3.6.

On wooden subfloors **JunckersFoam** is used, see H 3.5.

For further detailed information on choice of intermediate layer see C 1.1 - **Intermediate layer**.

## LOADBEARING STRENGTH

The loadbearing strength of the clip system depends on the type of load and subfloor. In some cases the total widthways expansion of the floor, depending on the room's climate and the clip size, can also be of significance. The frequency of point loads is also important.

Table 2 presents stiffness and bearing strength in accordance with the load classes in EN 1991-1-1.

For further definition of load classes and types, see C 1.0 - **Stiffness and bearing strength**.

Loading category	Loading types	
	Area- and Point load	Wheel load
<b>A+B:</b> Residential + Office	Approved (all products) Polystyrene: 30+40 kg/m <sup>3</sup> approved*	Approved (all products) Polystyrene: 30+40 kg/m <sup>3</sup> approved*
<b>C1+C2+C3+D1:</b> Public buildings and shopping areas	Approved (20.5 and 22 mm only) Polystyrene: 40 kg/m <sup>3</sup> approved*	Approved (20.5 and 22 mm only) Polystyrene: 40 kg/m <sup>3</sup> approved*

\* On top of the polystyrene a load spreading sheet of minimum 10 mm chipboard or plywood with tongue and groove are used.

## CONSUMPTION OF MATERIALS

**Boards:** approx. 2% wastage

**Clips:** see C 1.1 - clips

**Intermediate layer:** approx. 10% wastage

**Junckers SylvaFix:** 1 bottle, 0.75 litres per 50 m<sup>2</sup>

**Junckers expansion strips:** 2 x floor width